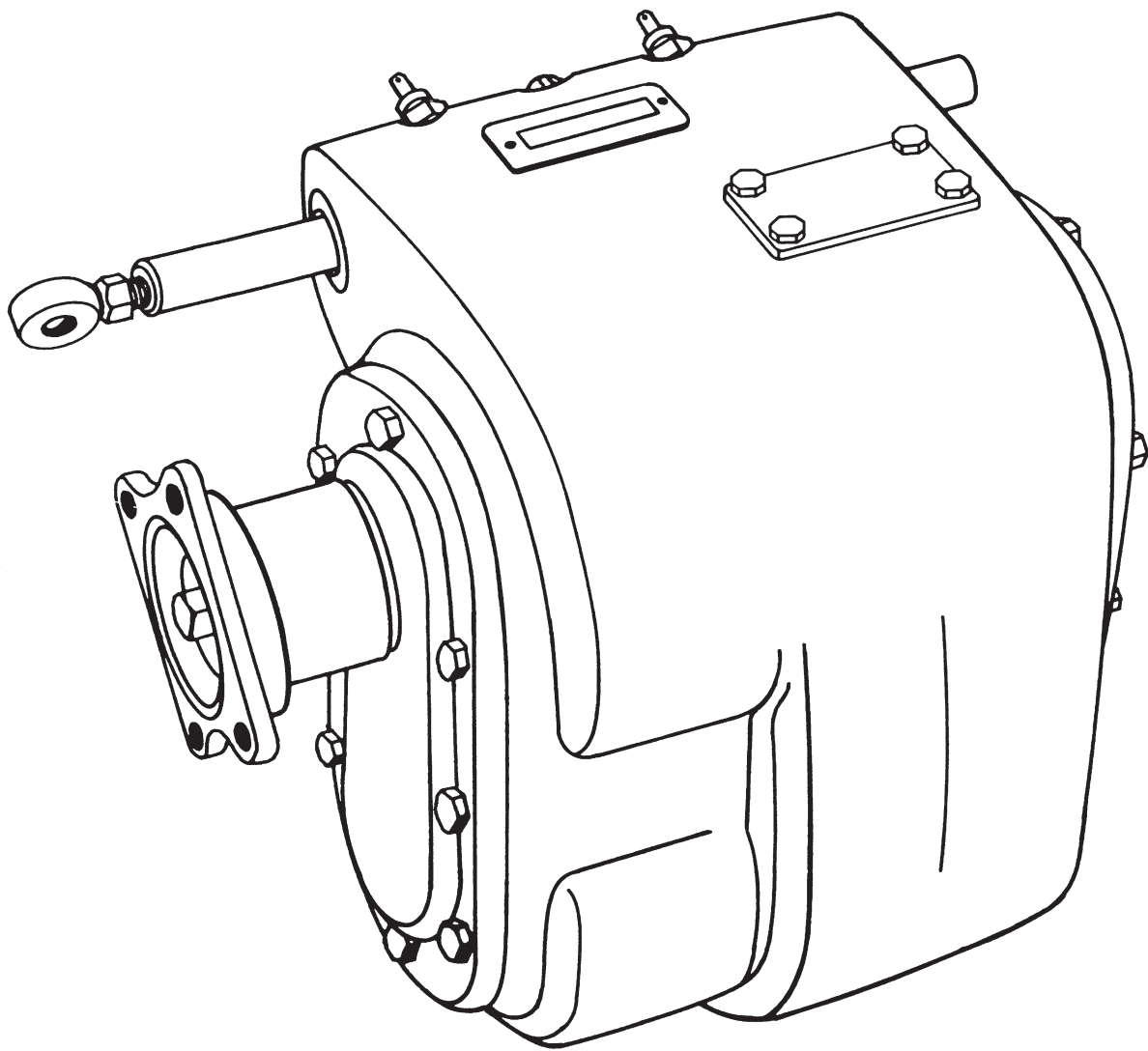


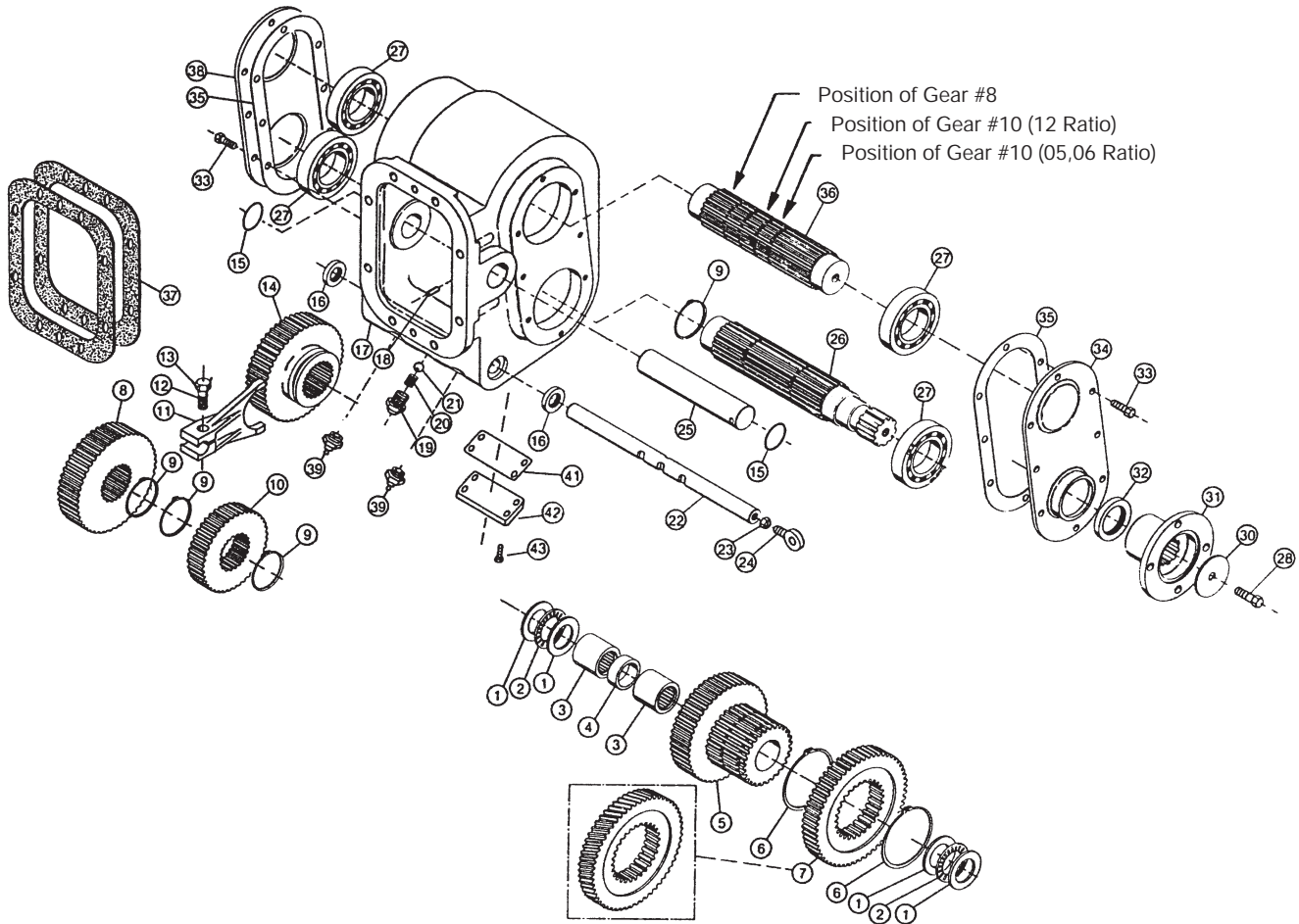


83 SERIES PTO

PARTS LIST AND SERVICE MANUAL



83 SERIES PTO EXPLODED VIEW



MODEL NUMBER CONSTRUCTION

83 8S — U68 05 — L 2 C X

PTO Type

8 Bolt 83 Series — 83

Mounting

SAE 8 Bolt Std. Mtg. — 8S

SAE 8 Bolt Std. Mtg., Metric Stud Kit — 8B

Trans.

83 Gear Data

| | | |
|-----------|-------------------------|------|
| Mack | 6.48 P 17° 30' Spur | -M65 |
| Spicer | 7 P 17.5° 28' 4' 23" LH | -S70 |
| Universal | 5 or 5/7 P 20° Spur | -U57 |
| Universal | 6 P 25° Spur | -U62 |
| Universal | 6 or 6/8 P 20° Spur | -U68 |

Speed Ratio

05 — .470:1
06 — .656:1
12 — 1.150:1

Special Feature

X — None

P — Pressure Lubrication

Output Type

C — 1-1/2 10 Spline-1410

2 — DIN

Assy. Arrangement

2

3

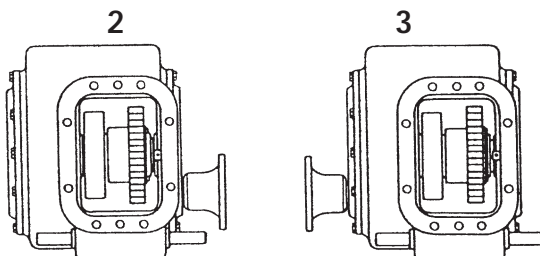
Shifter Type

L — Lever

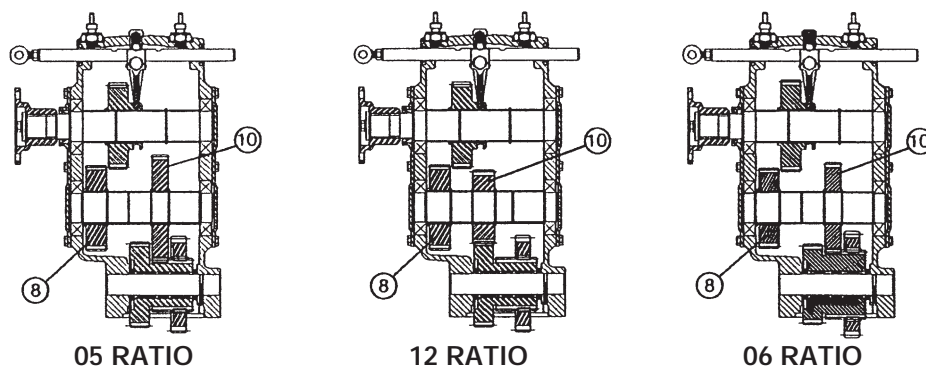
PARTS LIST AND DESCRIPTION

| ITEM | QTY | PART NUMBER | DESCRIPTION | ITEM | QTY | PART NUMBER | DESCRIPTION |
|------|-----|-------------|--------------------------------|------|-----|-------------|---|
| 1 | 4 | 10T32618 | Race | 20 | 1 | 27T22021 | Spring |
| 2 | 2 | 10T27068 | Bearing | 21 | 1 | 28T20486 | Ball |
| 3 | 2 | 10T29491 | Bearing | 22 | 1 | 17T34814 | Shaft |
| 4 | 1 | 18T33363 | Spacer | 23 | 1 | 22T21723 | Nut |
| 5 | 1 | 03T33361 | 05,12 Ratio Gear (30/18T) | 24 | 1 | 28T34746 | Eyebolt |
| | 1 | 03T36022 | 06 Ratio Gear (24/28T) | 25 | 1 | 07T35686 | Shaft |
| 6 | 2 | 24T31591 | Snap Ring (05,12) | 26 | 1 | 06T32749 | Shaft |
| | 2 | 24T36724 | Snap Ring (06) | 27 | 4 | 10T35775 | Bearing |
| | 2 | 24T36024 | Spiral Type (06)(Before 12/95) | 28 | 1 | 19T38266 | Capscrew |
| 7 | 1 | 03T93839 | Input Gear (M6505,12) (37T) | 30 | 1 | 21T20092 | Washer |
| | 1 | 03T36029 | Input Gear (M6506) (39T) | 31 | 1 | 14T31499 | Flange "C" |
| | 1 | 03T33362 | Input Gear (S7005,12) (31T) | | 1 | 14T37498 | Flange "Z" |
| | 1 | 03T32661 | Input Gear (U5705,12) (28T) | 32 | 1 | 11T37005 | Seal |
| | 1 | 03T36026 | Input Gear (U5706) (31T) | 33 | 16 | 19T32740 | Capscrew |
| | 1 | 03T32739 | Input Gear (U6205,12) (34T) | 34 | 1 | 15T34811 | Cover |
| | 1 | 03T31647 | Input Gear (U6805,12) (34T) | 35 | 2 | 13T31642 | Gasket |
| | 1 | 03T36028 | Input Gear (U6806) (37T) | 36 | 1 | 08T33132 | Shaft |
| 8 | 1 | 04T32754 | Idler Gear (05,12 Ratio) (30T) | 37 | 2 | 13M35151 | .010 8-Bolt Gasket |
| | 1 | 04T36032 | Idler Gear (06 Ratio) (28T) | | 1 | 13M35152 | .020 8-Bolt Gasket |
| 9 | 4 | 24T26980 | Snap Ring | 38 | 1 | 15T34812 | Cover |
| 10 | 1 | 04T39273 | Gear (05 Ratio) (38T) | 39 | 2 | 30T38110 | Indicator Switch-Silver |
| | 1 | 04T36031 | Gear (06 Ratio) (32T) | 41 | 1 | 13T34022 | Gasket |
| | 1 | 04T33133 | Gear (12 Ratio) (26T) | 42 | 1 | 16T33999 | Cover, Inspection |
| 11 | 1 | 28T32756 | Yoke | 43 | 4 | 19T34028 | Capscrew |
| 12 | 1 | 19T32326 | Screw 1/2-13UNC x 1-1/4 GR5 | N.S. | 1 | 83-GSK | Gasket & Seal Kit Items 15 (2), 16 (2), 32 (1), 35 (2), 37 (3), 41 (1), 25T34624 (2), 12T36526 (2) |
| 13 | 1 | 28T21513 | Lockwire | N.S. | 1 | 83-RBK | Rebuild Kit Items 1(4), 2(2), 3(2), 6(2), 9(4), 13(1), 15(1), 16(2), 18(1), 27(4), 32(1), 35(2), 37(2), 41(1), 12T36526(2) |
| 14 | 1 | 02T32755 | Outpt Gear (05,12 Ratio) (30T) | N.S. | 1 | 36MK3841 | Label Packet, English |
| | 1 | 02T36033 | Outpt Gear (06 Ratio) (32T) | N.S. | 1 | 52MK1004 | Mounting Gasket Kit |
| 15 | 2 | 12T35622 | O-Ring | | | | |
| 16 | 2 | 11T36865 | Seal | | | | |
| 17 | 1 | 01T34813 | Housing | | | | |
| 18 | 1 | 26T22340 | Pin | | | | |
| 19 | 1 | 28T22019 | Poppet Retainer | | | | |

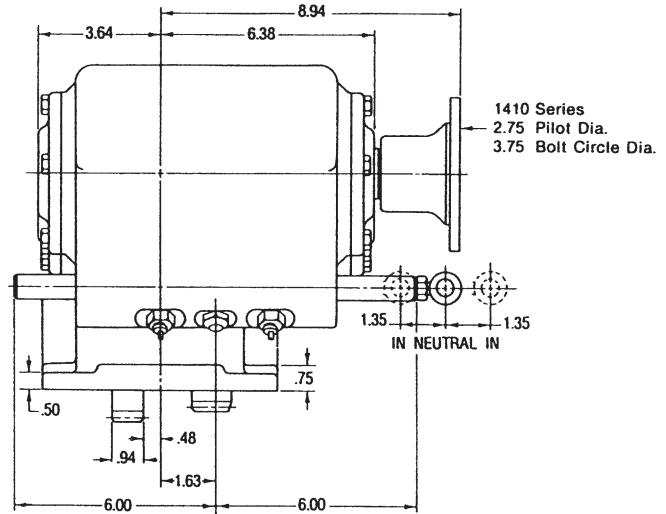
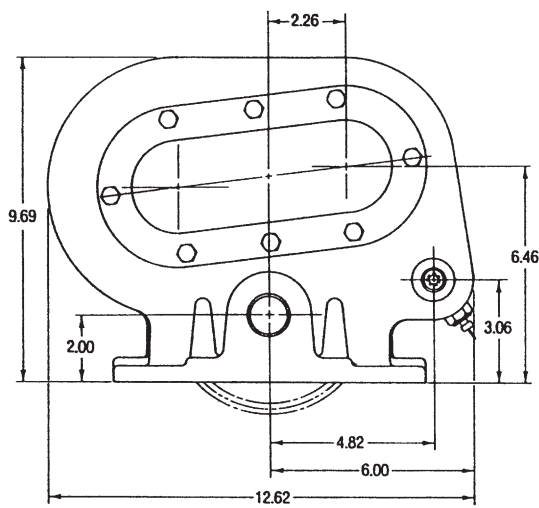
ASSEMBLY ARRANGEMENTS



LOCATION OF GEARS FOR SPECIFIED RATIOS

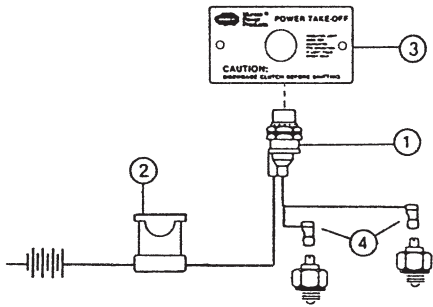


83 SERIES PTO MOUNTING DIMENSIONS



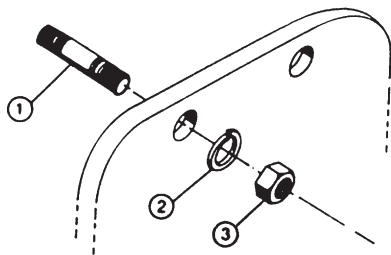
MOUNTING KITS

DASH LIGHT KIT 36MK1220-A



| ITEM | QTY | PART NUMBER | DESCRIPTION |
|------|-----|-------------|------------------|
| 1 | 1 | 32M12001 | Indicator Light |
| 2 | 1 | 33T36299 | Fuse Assembly |
| 3 | 1 | 36M16818 | Dash Face Plate |
| 4 | 2 | 34T38163 | Booted Connector |

8-BOLT MOUNTING KIT 20MK8815 (838S)**



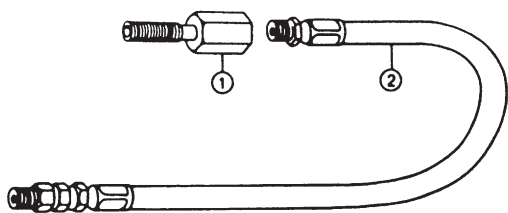
| ITEM | QTY | PART NUMBER | DESCRIPTION |
|------|-----|-------------|-------------|
| 1 | 8 | 20M44213 | Stud |
| 2 | 8 | 21ML4375 | Lock Washer |
| 3 | 8 | 22MX4420 | Hex Nut |

8-BOLT MOUNTING KIT 20MKM802 (838B)**

| ITEM | QTY | PART NUMBER | DESCRIPTION |
|------|-----|-------------|--------------|
| 1 | 8 | 20M47055 | Stud, Metric |
| 2 | 8 | 21ML4375 | Lock Washer |
| 3 | 8 | 22MX4420 | Hex Nut |

** 06 Ratio Reqs .190 additional spacing and longer stud kit not supplied

PRESSURE LUBE KIT 43MK3474



| ITEM | QTY | PART NUMBER | DESCRIPTION |
|------|-----|-------------|-----------------|
| 1 | 1 | 43MA0970 | Orifice Fitting |
| 2 | 1 | 45M4R536 | Hose |

Note: Item 1 replaces a Bearing Capscrew (19T32740) nearest idler shaft.



Muncie Power Products, Inc. General Offices & Distribution Center • P.O. Box 548 • Muncie, IN 47308-0548
(765) 284-7721 • FAX (765) 284-6991 • E-mail info@munciepower.com • Web http://www.munciepower.com
Drive Products, Inc., Toronto, Exclusive Agents for Canada

SP83-04 (Rev. 12-01) Printed in the U.S.A.
© Muncie Power Products, Inc. 2001

